

www.triflo-tech.com

blmv

Tri-Flo Tech, Inc.

custom crafted flow elements
rapid delivery at competitive prices

**3410 E. 14th Street
Los Angeles, CA 90023**

Phone: (323) 269-7700

Fax: (323) 269-7707

24 Hour On Call Message Center (817) 483-0001



THREE VALVE MANIFOLD

DOUBLE FLANGED

MODEL 301 / 302

Model 301 three valve manifold, double flanged manifolds allows the pressure transmitter to be directly mounted, eliminating the need for additional piping, valves and fittings.

Features

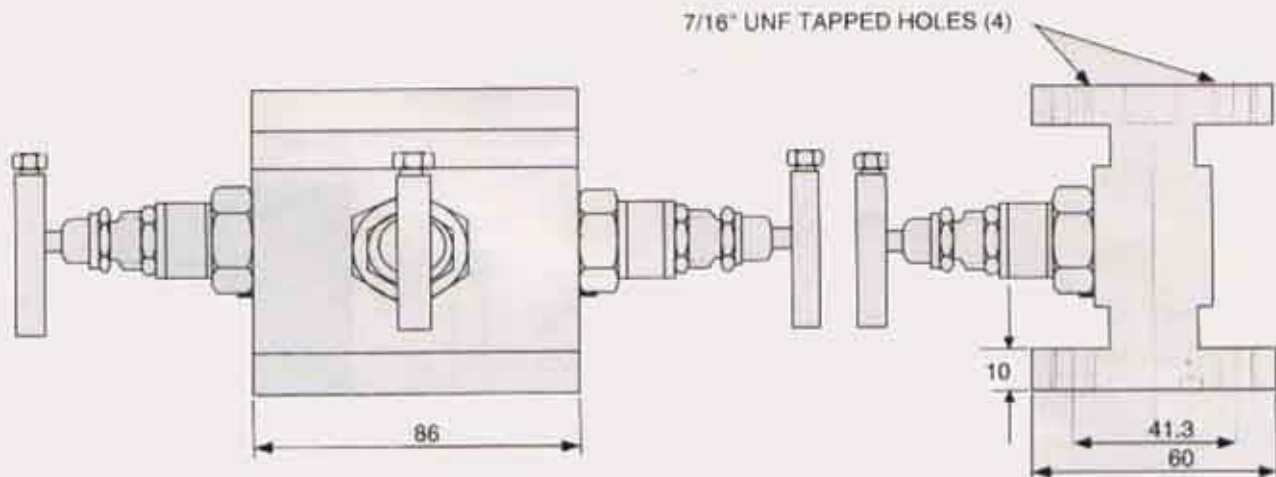
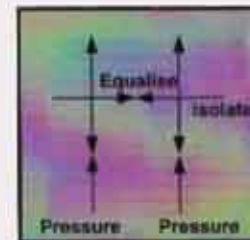
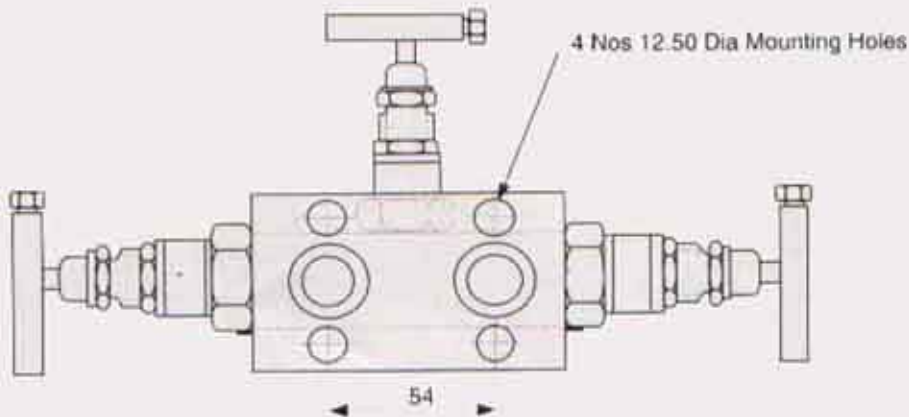
- Pressures up to 6000 psi
- Standard 2.13" center to center inlet/outlet
- 3/16" bore
- Wide choice of materials and options

Model 302 has the addition of two drain/vent plugs

www.triflo-tech.com

4415 E. 14th Street
Los Angeles, CA 90022
Phone: (323) 269-7700
Fax: (323) 269-7707

Tri-Flo Tech, Inc.



THREE VALVE MANIFOLD

SINGLE FLANGED

MODEL 305 / 306

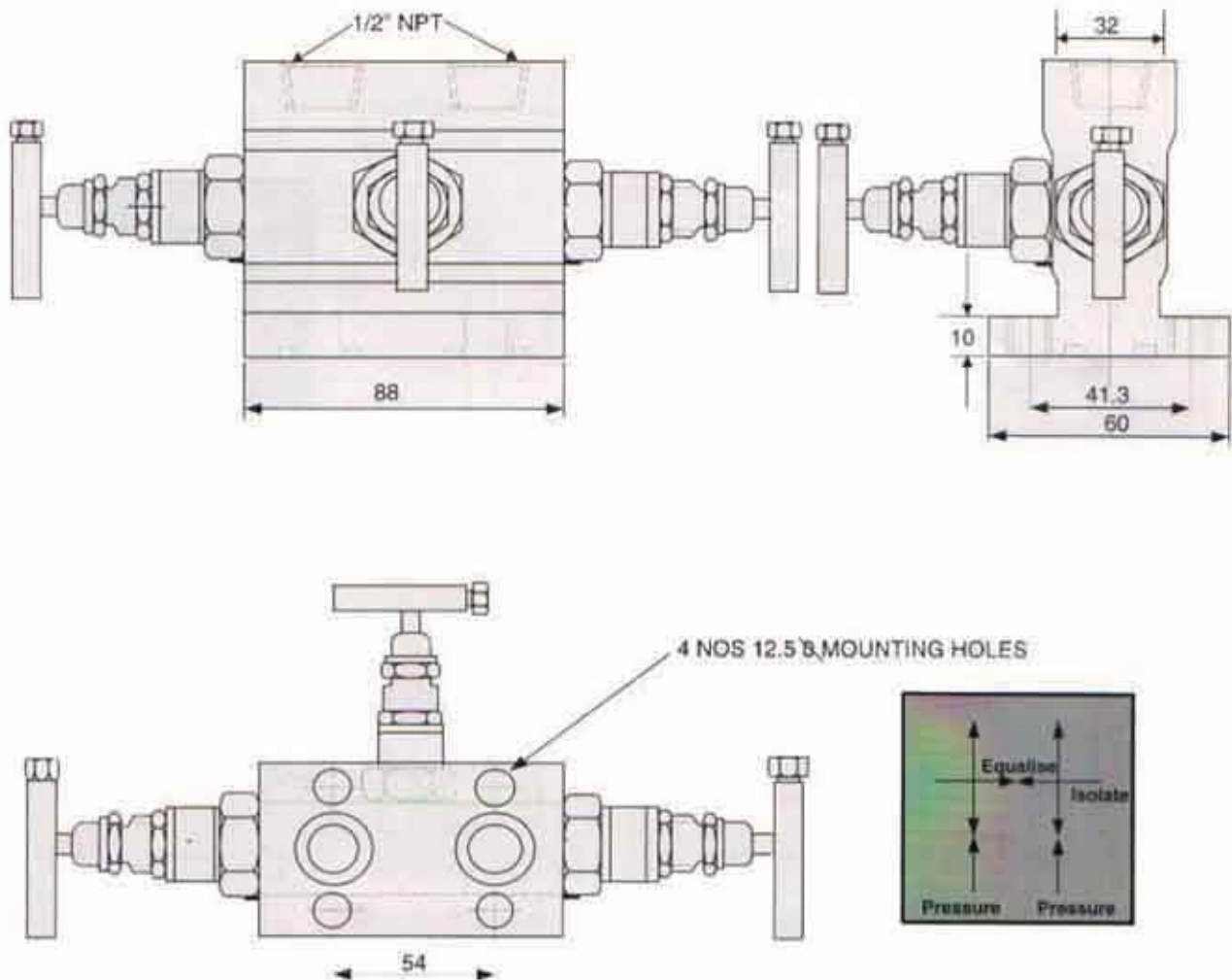
Model 305 Single Flanged three valve manifold, allows the pressure transmitter to be directly mounted, eliminating the need for additional piping, valves and fittings.

Features

- Pressures up to 6000 psi
- Standard 2.13" center to center inlet/outlet
- 3/16" bore
- Wide choice of materials and options



Model 306 has the addition of two drain/vent plugs



THREE VALVE MANIFOLD

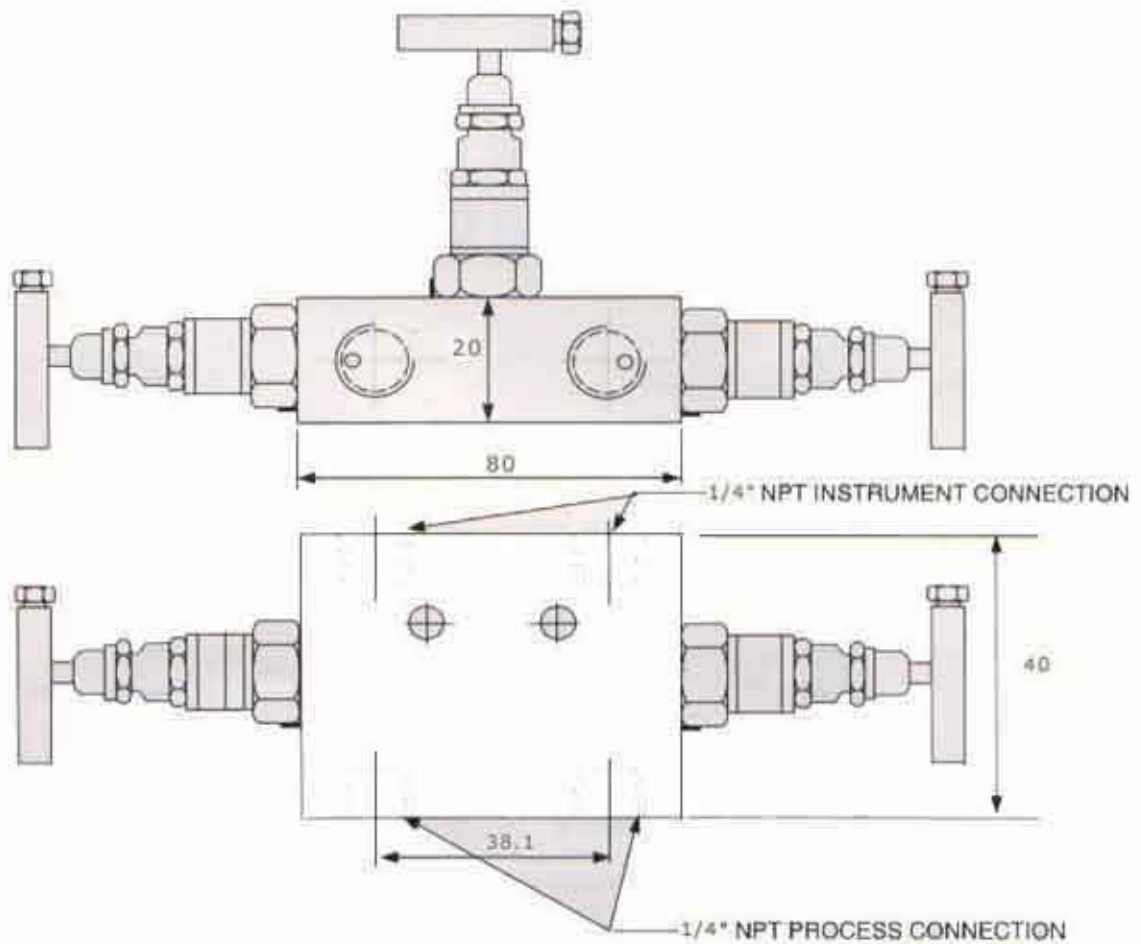
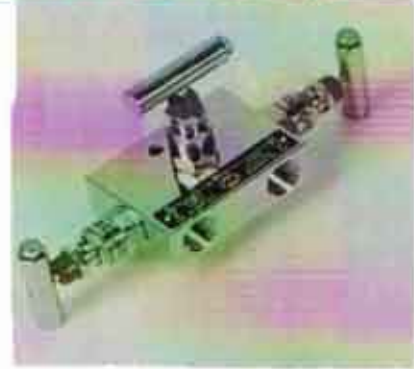
REMOTELY MOUNTED MINI MANIFOLD MODEL 310 / 311

Model 310 Remotely mounted three valve manifold, allows manifold to be remote from the differential gauge, switch or transmitter. Two isolating and one equalising valve are provided in a single compact, space saving unit.

Features

- Pressures up to 6000 psi
- Standard 1.50" center to center inlet/outlet
- 3/16" bore
- Wide choice of materials and options

Model 311 has the addition of two drain/vent plugs

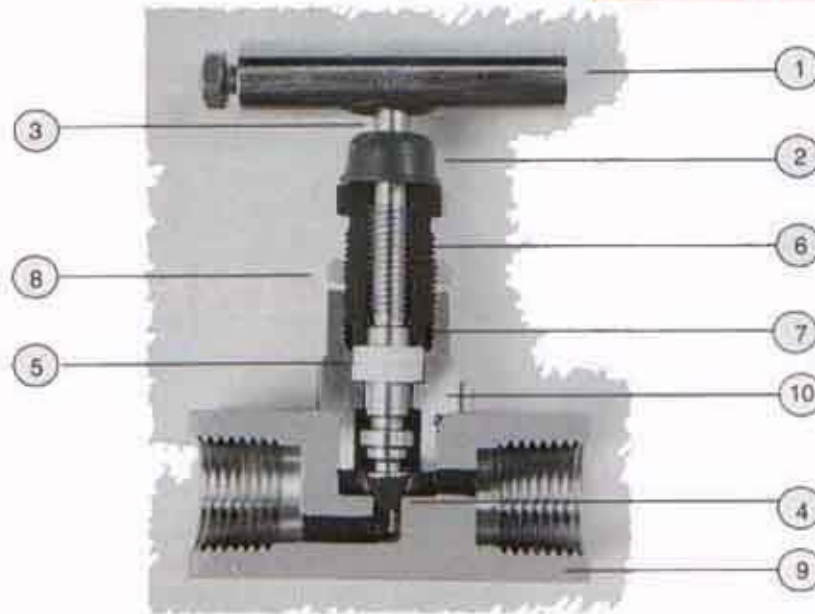


TYPICAL BARSTOCK NEEDLE VALVE

www.triflo-tech.com

2418 E. 140th Street
Los Angeles, CA 90023
Phone: (323) 269-7700
Fax: (323) 269-7707

Tri-Flo Tech, Inc.



VALVE DESIGN FEATURES

1) HANDLE

— A standard "T" Bar handle made of Carbon Steel or Stainless Steel.

2) CAP

— A protective Polypropylene Cap, fitted to protect the Stem from foreign particles and corrosive atmospheres.

3) STEM

— For smooth valve operation, the stem threads are cold rolled to achieve maximum strength, coupled with fine surface finish and high accuracy. Corrosion resistant Stems of any material combination to suit application requirements can be provided.

4) NEEDLE TIP

— Constructed out of Titanium and designed to have a self centering non-rotating Needle on the valve seat. The tips are hardened and ground to minimize Seat Galling and enhance a good metal to metal seal.

5) GLAND PACKING

— Adjustable Gland Packing is done below the Stem thread to prevent the process fluid getting in contact with the threads. The packing material limits the operating temperature of the Valve.

6) UPPER GLAND BODY

— This tightens the Gland Packing to the required limit to maintain perfect sealing and arrest leakage

7) LOWER GLAND BODY

— This is screwed directly on the main valve body

8) GLAND LOCK NUT

— When tightened firmly, it ensures that the upper gland body is positively locked to prevent any further movement during vibration and temperature changes.

9) BODY

— Valve bodies are precision machined to close tolerances.

10) LOCKING PIN

— Gland Locking Pin is provided for accidental loosening of Gland Body during excessive vibration.

FIVE VALVE MANIFOLD

DIRECTLY MOUNTED MODEL 505DM

Model 505DM Single Flanged Five valve manifold, allows the pressure transmitter to be directly mounted, eliminating the need for additional piping, valves and fittings.

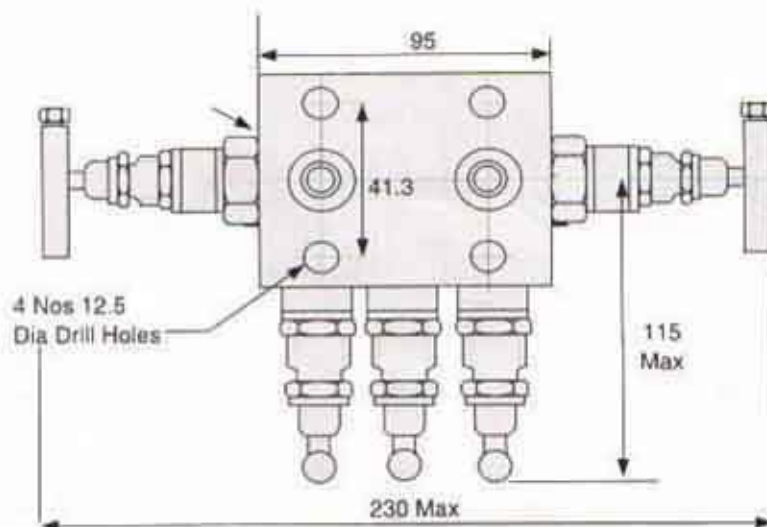
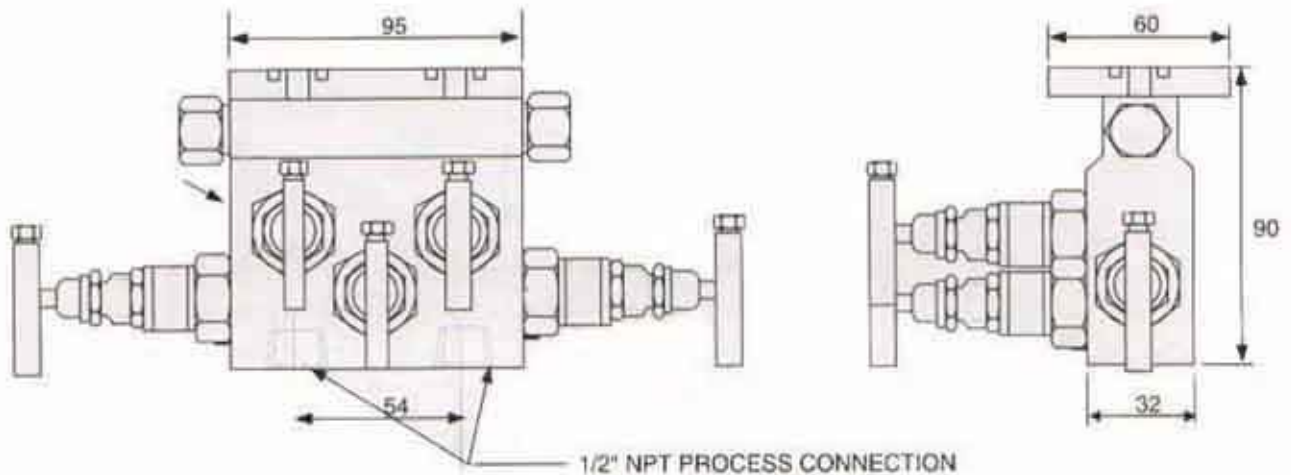
Features

- Pressures up to 6000 psi
- Standard 2.13" center to center inlet/outlet
- 3/16" bore
- Wide choice of materials and options
- Instrument Mounting Dimension as per DIN 19213 is also Available

www.triflo-tech.com

2410 E. 14th Street
Los Angeles, CA 90023
Phone: (323) 269-7700
Fax: (323) 269-7707

Tri-Flo Tech, Inc.

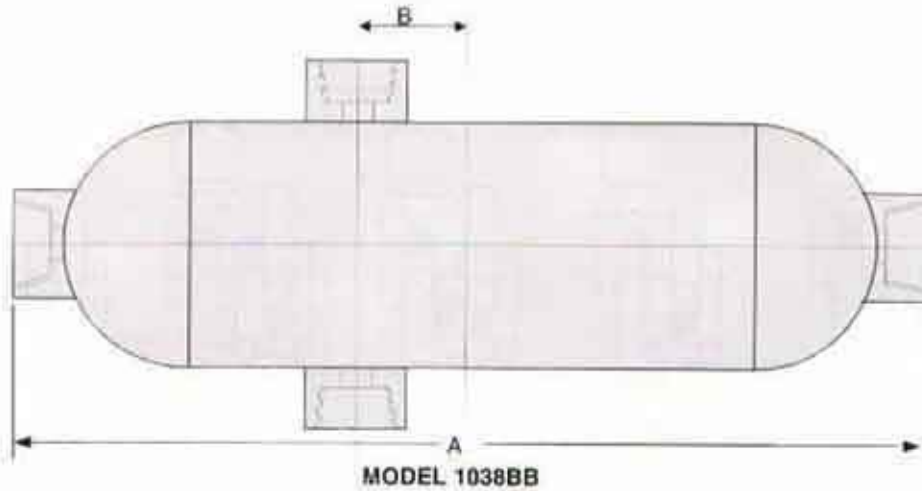
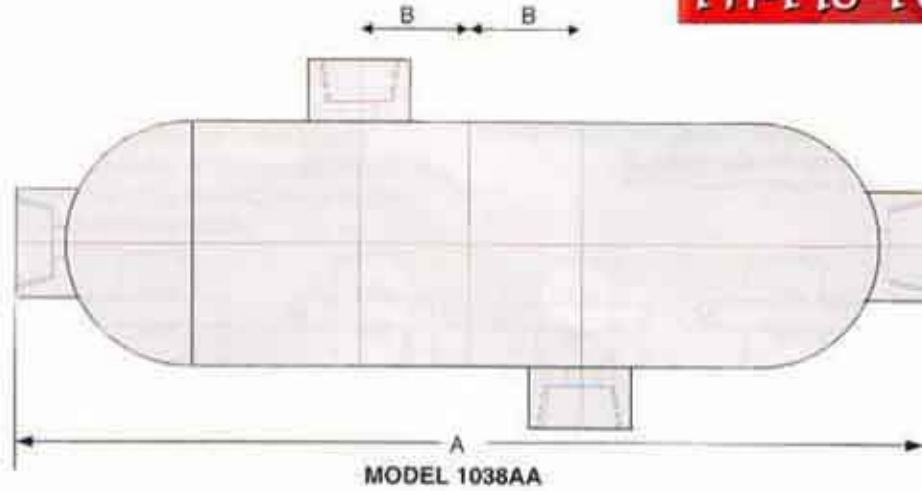


CONDENSATE POTS

www.triffotech.com

2419 E. 18th Street
 Los Angeles, CA 90023
 Phone: (323) 269-7700
 Fax: (323) 269-7707

Tri-Flo Tech, Inc.



ORDERING INFORMATION

Model	Product Description
1038AA	Condensate pot as per drawing above
1038BB	Condensate pot as per drawing above
Code	Material
CS	Carbon Steel A 105/ A 106
SS	Stainless Steel SS 316L
AS	Alloy Steel
SP	Special Material, Please specify
Code	Size
03	Pipe Size 3", Schedule 80
04	Pipe Size 4", Schedule 80
Code	Dimensions in Inches (mm)
E1	A = 10.5" (270) B = 2" (55)
E2	A = 14" (360) B = 4" (100)
E3	A = 17" (430) B = 5.3" (135)

Ordering Example

	Model	Material	Size	Dimensions
Typical Model Number	1038BB	SS	03	E3