

B0807 Series Differential Pressure Transmitter**Features**

- **Capacitive Resistance DP Transmitter**
- **Static Pressures: 2000 psi & 5500 psi**
- **Range : 0-0.5 "wc through 0-1000 psi**
- **Optional Hart Protocol**
- **High Performance and Low Cost**
- **Bright LED Display**

Specifications

Range	Range Code	GP	DP	DR	HP
0 ~ 0.5 through 0 ~ 5 inH ₂ O	2			✓	
0 ~ 5 through 0 ~ 30 inH ₂ O	3	✓	✓		
0 ~ 25 through 0 ~ 150 inH ₂ O	4	✓	✓		✓
0 ~ 125 through 0 ~ 750 inH ₂ O	5	✓	✓		✓
0 ~ 18Psi through 0 ~ 100Psi	6	✓	✓		✓
0 ~ 50Psi through 0 ~ 300Psi	7	✓	✓		✓
0 ~ 170Psi through 0 ~ 1000Psi	8	✓			
0 ~ 500Psi through 0 ~ 3000Psi	9				

Overpressure: GP 6500psi DR 1000psi DP 2000psi HP 4500psi Power

Supply: 12~45 Vdc

Output: 4-20mA_{dc} (optional Hart Protocol)

Load: 750 ohms/24V

Display: 3 1/2-digit LCD or LED, User-selectable Display Units, Accuracy 0.5% Damping:

Adjustable from 0.2-1.67 seconds

Rangeability: 6:1 elevation or 5:1 suppression

Accuracy: <=0.25% F.S., for GP, DP, HP

<=0.25% F.S., for DR (Combined non-linearity, hysteresis and repeatability) Long

Term Stability: +/-0.2% F.S./year

Operating Temperature Range: Sensor -40-85C, Circuit -25-70C, LED -25-70C, LCD 0-50C

Operating Humidity Range: 0-100%RH

Temperature Effect: <=1%/55C (Combined zero and span)

Mounting Position Effect: Zero shift of up to 1"wc

Isolating Diaphragm: 316SS or Hastelloy C

Housing: Aluminum

Material of Pressure Connection: 316SS Process Flange/ 316SS Flange

Adapter/ 316SS Drain or Vent Plug

Pressure Connection: 1/2—14 NPT Female

Electrical Connection: G 1/2

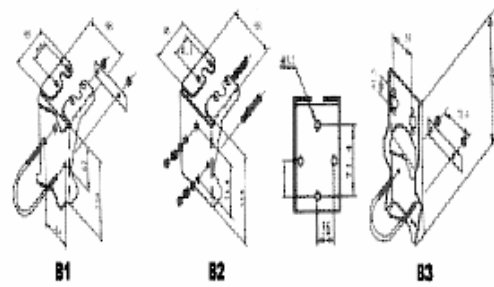
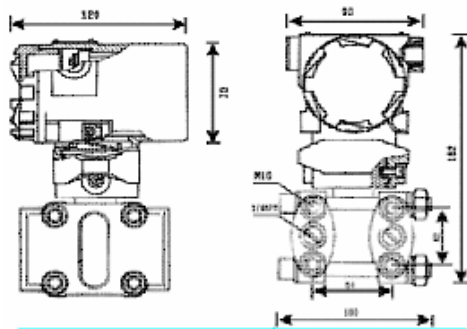
Explosion-proof: Exia IIC T6 Class 1, Exd IIc T6 Class 1

Enclosure Classification: IP65

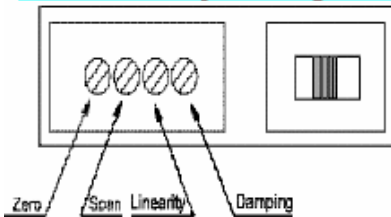
Weight: 4.35 kg

18-MONTH WARRANTY

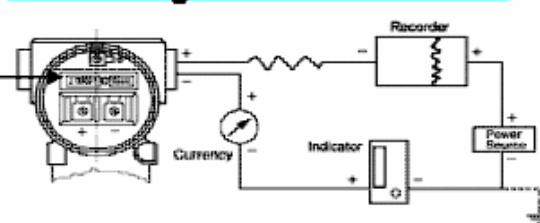
Dimensions (mm) B0807 Series Differential Pressure Transmitter



Zero and Span Adjustment



Block Diagram of Transmitter



Order Information

Basic Type

-B0807 ___ Capacitor Differential Pressure Transmitter

Pressure Type

-GP ___ Gage Pressure -DR ___ Micro-differential Pressure
 -DP ___ Differential Pressure -HP ___ High Static Pressure

Range Code

-Please see the above table for ranges.

Output

-E ___ 4 - 20 mA
 -S ___ 4 - 20 mA with Hart Protocol

Process Connection

-22 ___ 316ss Process Flange / 316ss Flange Adapter / 316ss Diaphragm / Silicone Oil
 -23 ___ 316ss Process Flange / 316ss Flange Adapter / Hastelloy Diaphragm / Silicone Oil

Accessories

-M3 ___ LCD, Display unit on Request
 -M6 ___ LED, Display unit on Request
 -B1 ___ Bracket ,2-in. Pipe Mount
 -B2 ___ Bracket ,Panel Mount
 -B3 ___ Bracket ,Flat,2-in. Pipe Mount
 -d ___ Exd IIc, Class1, Div. 1,2, Groups A,B, T6=85C
 -i ___ Exia IIc T6=85C, Class1 Intrinsically Safe

B0807 DP 5 E 22 M6B1 (0-125inH₂O)

Note: Range in () is the adjusted range decided by customer