

Low Flow Precision Turbine Meter

Measures liquid and gas flows

PRODUCT DESCRIPTION

Low flow precision turbine meters are designed to measure flows from .006 GPM to 3.0 GPM. Accuracy is repeatable to $\pm 0.25\%$ of reading within a nominal 10 to 1 flow range. Each meter is water calibrated for 16-point linearization before shipment. To achieve repeatable accuracy of $\pm 0.25\%$ of reading, the totalizer/rate indicator receiving the signal must have the capability to accept 16-point linearization.

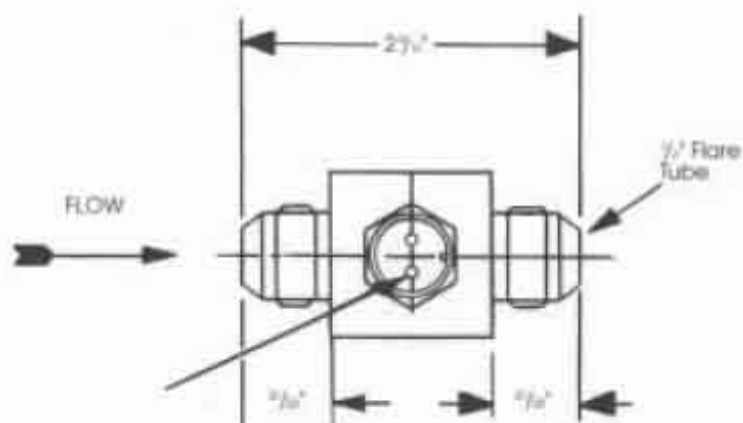
FEATURES

- 10 to 1 flow turndown
- Accuracy $\pm 0.25\%$ of reading
- Temperature range -430°F to 450°F
- Pulse output standard
4 - 20 mA output optional
- All stainless steel construction
- End connections:
1/2" flare tube, or
1/2" MPT

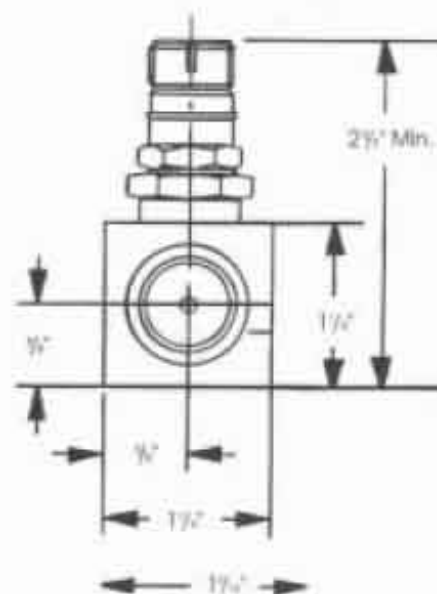


Standard 304 stainless steel meter body.
Top mounted aluminum transmitter housing not pictured.

DIMENSIONS



Top View



Side View

SPECIFICATIONS

Repeatability

Liquids.....±0.25% of reading
Gases.....±1.00% of reading

Process Temperature limits

Standard-430°F to 450°F
Optionalto 1000°F

Maximum pressure

2000 psi or rating of pipe or tubing

Materials

Standard body304 SS
Optional304L SS, 316 or 316L SS
Rotor.....17-4 PH SS

Bearing materials

Ball.....cryo or metal
Sleeveteflon, graphitar or carbide

Minimum straight piping required

Upstream10 pipe diameters
Downstream.....4 pipe diameters

Output Signal

Pulse.....proportional to output voltage
Optional (amplifier)4 - 20 mA

Power supply required

Pulse output.....5 - 30 VDC
Analog output12 - 24 VDC

Tri-Flo Tech, Inc.

3410 E. 14th Street
Los Angeles, CA 90023
(323) 269-7700
sales@triflotech.com